



MITSUBISHI ELECTRIC AUTOMATION (THAILAND) CO., LTD.

Bang-Chan Industrial Estate No. 111 Moo 4, Serithai Rd., T.Kannayao, A.Kannayao, BKK 10230 Thailand
 Tel: (66) 2517-1326, (66) 2919-9873 Fax: (66) 2517-1328 URL: www.meath-co.com E-mail: support@meath.co.th

บริษัท มิตซูบิชิ อิเล็กทริก ออโตเมชัน (ประเทศไทย) จำกัด

นิติบุคคลสหกรณ์บางชัน เลขที่ 111 หมู่ 4 ถนนเสรีไทย แขวงคันทนายาว เขตคันทนายาว กทม. 10230

โทรศัพท์: (66) 2517-1326, (66) 2919-9873 โทรสาร: (66) 2517-1328 URL: www.meath-co.com E-mail: support@meath.co.th

MOTOR SPECIFICATION SHEET

MODEL : SF-QRV 7.5HP 6P (HT)

USED FOR : STANDARD

DESCRIPTION	DETAIL		
PHASE	3		
MODEL NAME	SF-QRV		
RATED OUTPUT, HP (kW)	7.5 (5.5)		
POLE	6		
CODE	MEATH CODE : 1M002V-600550QVMJ0		
OUTLINE DRAWING NO.	ONM24O166-B		
RATED VOLTAGE (V)	380	415	
RATED FREQUENCY (Hz)	50	50	
RATED CURRENT (A)	12.5	12.6	
RATED SPEED (min ⁻¹)	950	960	
RATED EFFICIENCY (%)	83.1	83.1	
EFFICIENCY CLASS	IE1		
THERMAL CLASS	155(F)		
RATING	S1 (CONTINUOUS)		
ENCLOSURE CONSTRUCTION	TOTALLY ENCLOSED FAN COOLED		
DEGREES OF PROTECTION	IP55		
METHOD OF COOLING	IC411		
FRAME NO.	132M		
WEIGHT (kg)	66		
STANDARD	IEC 60034-1, IEC 60034-30-1		
INSTALLATION	FLANGE MOUNTED (VERTICAL)		
ROTATION	CCW (VIEWED FROM SHAFT END)		
BEARING	LOAD SIDE	: 6308ZZ	
	OPPOSITE SIDE	: 6207ZZ	
BEARING GREASE	UREA GREASE		
NOISE (db.A)	68		
VIBRATION	V10		
CIRCUMSTANCE CONDITION	AMBIENT TEMPERATURE	: -20 ~ +40°C	
	AMBIENT HUMIDITY	: 95%RH OR LESS	
	ABOVE SEA LEVEL	: 1000m OR LESS	
	ENVIRONMENT	: NO BURSTING/EROSIVE GAS OR VAPOR	
COLOR	MUNSELL N1.5 (BLACK)		
TERMINAL BOX	NO. OF LEAD WIRES	: 6	
	SOURCE CONNECTION	: TERMINAL BLOCK	
SHAFT SWING	≤0.03mm		
MATERIAL	FRAME	: STEEL PLATE	
	BRACKET	LOAD SIDE	: CAST IRON (FLANGE)
		OPPOSITE SIDE	: ALUMINIUM
	SHAFT	: CARBON STEEL	
	STATOR CORE	: ELECTRICAL STEEL	
	WIRE	: ENAMELLED COPPER MAGNET WIRE	
	ROTOR CORE	: ELECTRICAL STEEL	
	CONDUCTOR	: ALUMINIUM	
	TERMINAL BOX	: STEEL PLATE	
	PAINTING	: POLYURETHANE RESIN	
PRODUCTION COUNTRY	THAILAND		

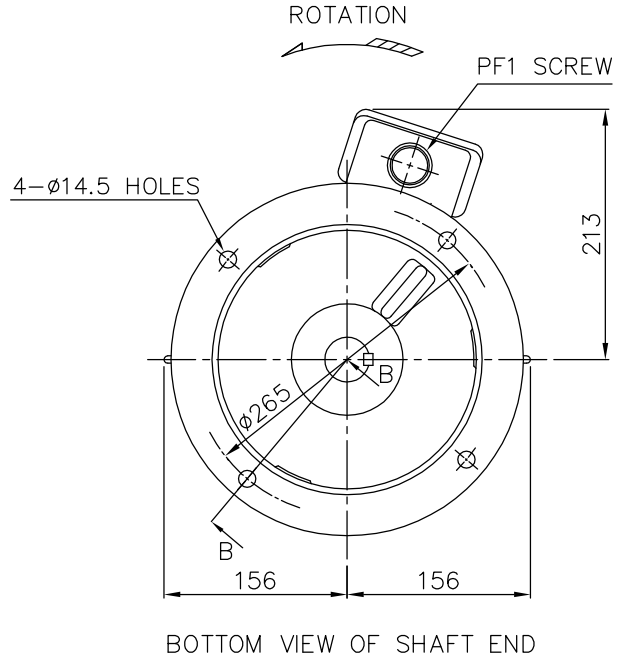
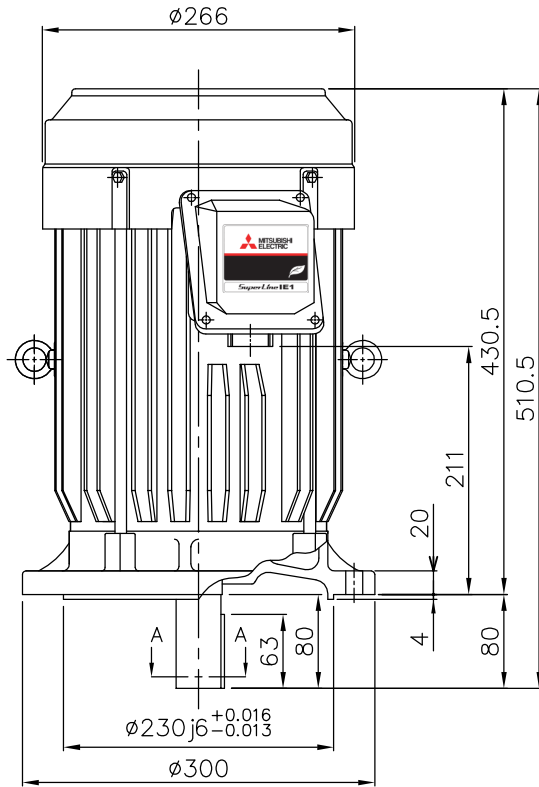
Specifications subject to change without notice.

SPECIFICATION SHEET NO.				
SS-M-2983-A				

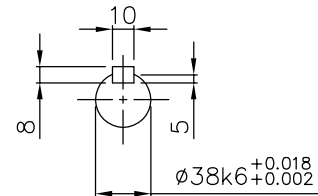
MODEL SF-QRV THREE PHASE INDUCTION MOTOR OUTLINE DRAWING

TOTALLY ENCLOSED FAN COOLED TYPE
 DEGREES OF PROTECTION IP55
 DUST & WATER JET PROOF

CUSTOMER _____
 USER _____
 FOR _____
 CUSTOMER'S ORDER NO. _____
 QUANTITY _____
 MFG. ORDER NO. _____



BOTTOM VIEW OF SHAFT END

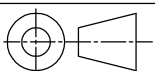


SECTION A-A

YOUR ORDER	FRAME SIZE	RATING	TH. CLASS	AMB. TEMP.	BEARINGS		COLOR	DIRECTION OF ROTATION (VIEWED FROM SHAFT END)	NO. OF LEAD WIRES	REMARKS
					LOAD SIDE	OPP. SIDE				
	132M	S1 (CONT.)	155(F)	40°C	6308ZZ	6207ZZ	BLACK (MUNSELL N1.5)	CCW	6	

YOUR ORDER	OUTPUT		POLES	VOLTS	HERTZ	AMP.	RPM	IE CODE-RATED EFF.	REMARKS
	HP	kw							
	10	7.5	4	220/380/415	50	26.8/15.5/15.0	1450/1450/1460	IE1 86.0%/86.0%/86.2%	LT
	7.5	5.5	6	220/380/415	50	21.3/12.3/12.3	950/950/950	IE1 83.1%/83.1%/83.1%	LT
	10	7.5	4	380/415	50	15.4/14.7	1450/1460	IE1 86.0%/86.7%	HT
	7.5	5.5	6	380/415	50	12.5/12.6	950/960	IE1 83.1%/83.1%	HT

MITSUBISHI ELECTRIC AUTOMATION (THAILAND) CO., LTD.



DIMENSION IN mm.
 SCALE : NTS

OUTLINE DRAWING NO.

0 N M 2 4 0 1 6 6

REV.

B